

THE MOST PAYLOAD EFFICIENT MATERIAL HANDLING EQUIPMENT IN THE INDUSTRY

# SPITZLIFT

## PRODUCT CATALOG

PICK-UP

SERVICE  
BODY

PLATFORM  
TRUCK

ENCLOSED  
SERVICE  
BODY

VAN

RECEIVER  
HITCH

OTHER  
APPLICATIONS

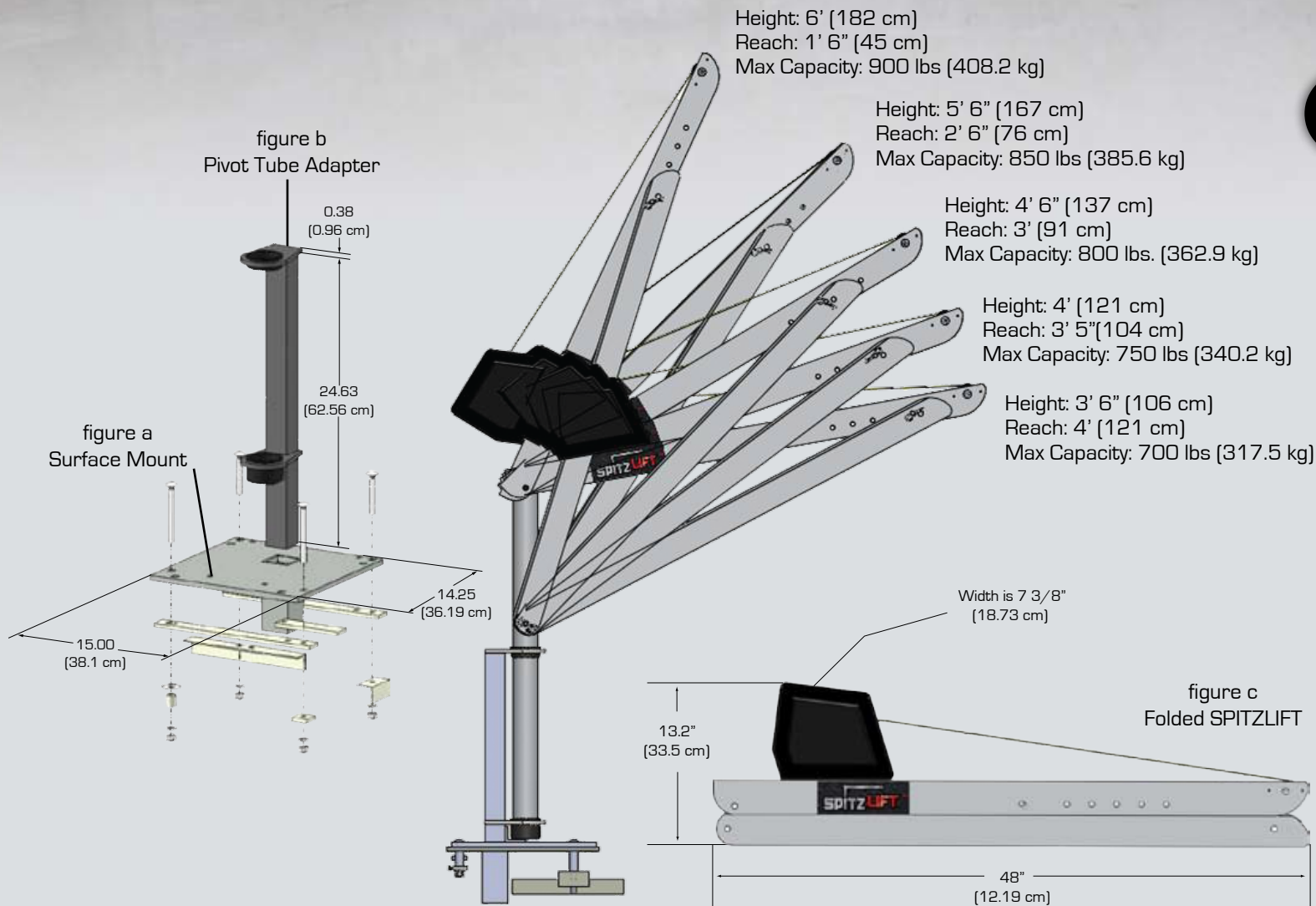
- 900 LB CAPACITY
- WEIGHS LESS THAN 40 LBS
- ROTATES 360°
- MANUAL, 12V, 120VAC HOISTS
- MOUNTING OPTIONS FOR ANY APPLICATION
- MEETS ONE PERSON HANDLING REQUIREMENTS
- FULL RANGE STATIC-LOAD CERTIFIED

858.513.1260 | [WWW.SPITZLIFT.COM](http://WWW.SPITZLIFT.COM) | [INFO@SPITZLIFT.COM](mailto:INFO@SPITZLIFT.COM)

# PICK-UP TRUCKS

The SPITZLIFT Pick-Up kit was designed specifically for the unique needs of a Pick-Up truck. It consists of a 15x15 inch surface plate mount that includes a hardware kit, complete for most trucks (figure a: Surface Mount). Also included is a pivot tube adapter and the SPITZLIFT (figure b: Pivot Tube Adapter). The SPITZLIFT and the pivot tube adapter may remain permanently in place, or stowed away (figure c: folded SPITZLIFT). The SPITZLIFT may be ordered with a DC power unit, or a manual hoist.. The 4 foot DC SPITZLIFT weighs less than 40 lbs, so it can be safely handled by one person. The DC powered SPITZLIFT also comes with a quick connect wiring harness that attaches to the vehicle's battery. Every SPITZLIFT comes with a safe-working load test certificate.





## FEATURES and OPTIONS

PRODUCT MODEL # LEB15 - 4

### LIFT

Anodized Structural Aluminum, weighs less than 40lbs

1 minute setup from folded storage position (carrying case optional)

Meets requirements for 1 person handling

### MOUNT

Powder Coated Structural Steel

Complete Hardware Kit included (retro-fit friendly)

Designed and tested with all SPITZLIFTS

### DC ELECTRIC HOIST

12v DC, 189.1 gear ratio, 2 integrated circuit breakers • Optional manual / AC Hoist • Optional Battery Pack

Strap Length 20 ft • Optional aircraft grade wire rope (max 45 ft), synthetic rope (max 80 ft)

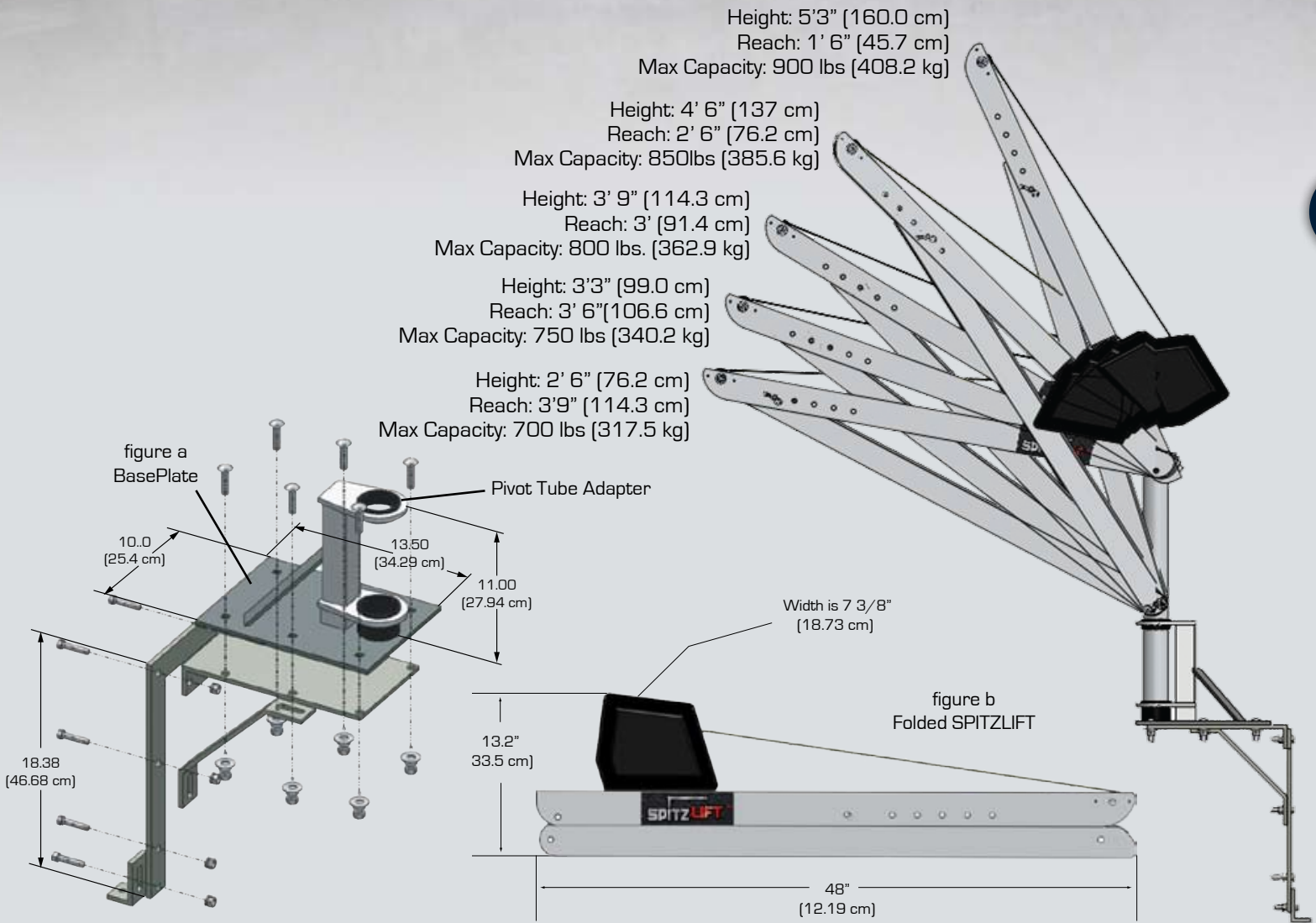
Internal Dual breaking system with dynamic and integrated disk break (enclosed in housing)

Supplied with a 10 ft lanyard remote control • Manual handle for dropping load during a power loss

# SERVICE BODY

We have developed a Service Body Mount that attaches to the top of the Service body. The mount may be ordered with either a 15 inch or a 20 inch base plate; depending on the width of the service body (figure a: Base Plate). The mount also comes with a complete hardware kit. This mounting kit is retro-fit friendly, and easy to install. The 4 foot DC powered Spitzlift is the perfect choice for this mounting application. The quick connect wiring harness, that attaches to the battery, is also included. The powered DC SPITZLIFT weighs less than 40 lbs, and can be easily removed and stowed (figure b: Folded SPITZLIFT). Every SPITZLIFT comes with a safe-working load test certificate.





## FEATURES and OPTIONS

PRODUCT MODEL # LESTSB15 - 4

### LIFT

Anodized Structural Aluminum, weighs less than 40lbs

1 minute setup from folded storage position (carrying case optional)

Meets requirements for 1 person handling

### MOUNT

Powder Coated Structural Steel

Complete Hardware Kit included (retro-fit friendly)

Designed and tested with all SPITZLIFTS

### DC ELECTRIC HOIST

12v DC, 189.1 gear ratio, 2 integrated circuit breakers • Optional manual / AC Hoist • Optional Battery Pack

Strap Length 20 ft • Optional aircraft grade wire rope (max 45 ft), synthetic rope (max 80 ft)

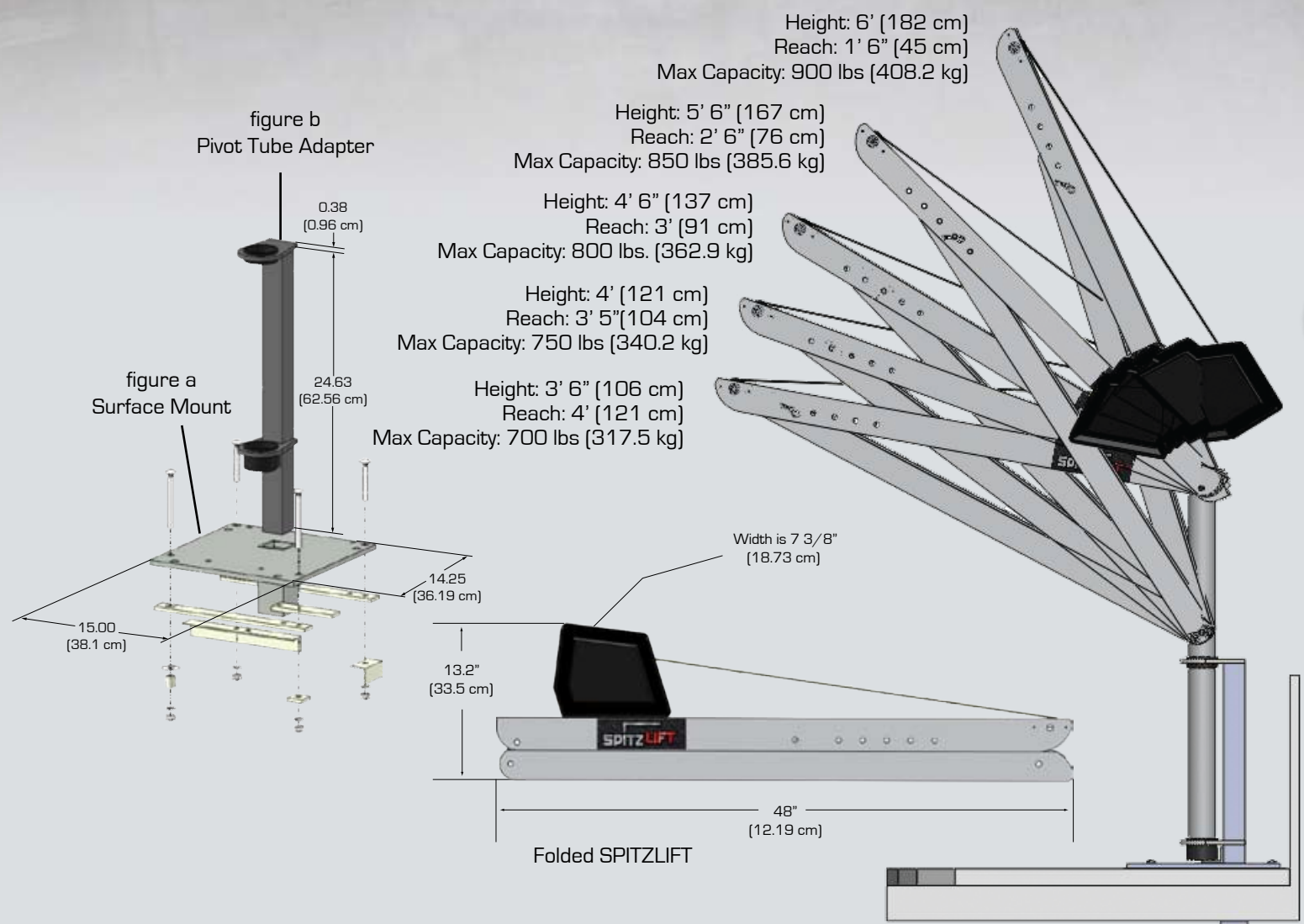
Internal Dual breaking system with dynamic and integrated disk break (enclosed in housing)

Supplied with a 10 ft lanyard remote control • Manual handle for dropping load during a power loss

# PLATFORM TRUCK

The Platform Truck kit was designed to work as a multiple mounting option around the perimeter of the platform truck bed. As a result the Spitzlift can be easily moved, wherever it is needed, for loading and unloading. The 15x 15 inch Surface Plate Mount used with the platform truck comes with the necessary hardware kit to complete the installation (figure a: Surface Plate). The SPITZLIFT is perfect for today's payload requirements. It is the only light-weight lifting device that affords the customer minimal impact on the total weight of the vehicle. The Departments of Transportation, municipalities, and many other trade industry workers (nation wide) have discovered that because the SPITZLIFT weighs under 40 lbs and can lift up to 900 lbs, only one worker is needed to load equipment that otherwise would have taken two or three workers. The 4 foot DC powered SPITZLIFT is ideal for this application. The powered DC lift also comes with a quick connect wiring harness that attaches to the vehicle battery. Every SPITZLIFT comes with a safe-working load test certificate.





## FEATURES and OPTIONS

PRODUCT MODEL # LEB12 - 4

### LIFT

Anodized Structural Aluminum, weighs less than 40lbs

1 minute setup from folded storage position (carrying case optional)

Meets requirements for 1 person handling

### MOUNT

Powder Coated Structural Steel

Complete Hardware Kit included (retro-fit friendly)

Designed and tested with all SPITZLIFTS

### DC ELECTRIC HOIST

12v DC, 189.1 gear ratio, 2 integrated circuit breakers • Optional manual / AC Hoist • Optional Battery Pack

Strap Length 20 ft • Optional aircraft grade wire rope (max 45 ft), synthetic rope (max 80 ft)

Internal Dual breaking system with dynamic and integrated disk break (enclosed in housing)

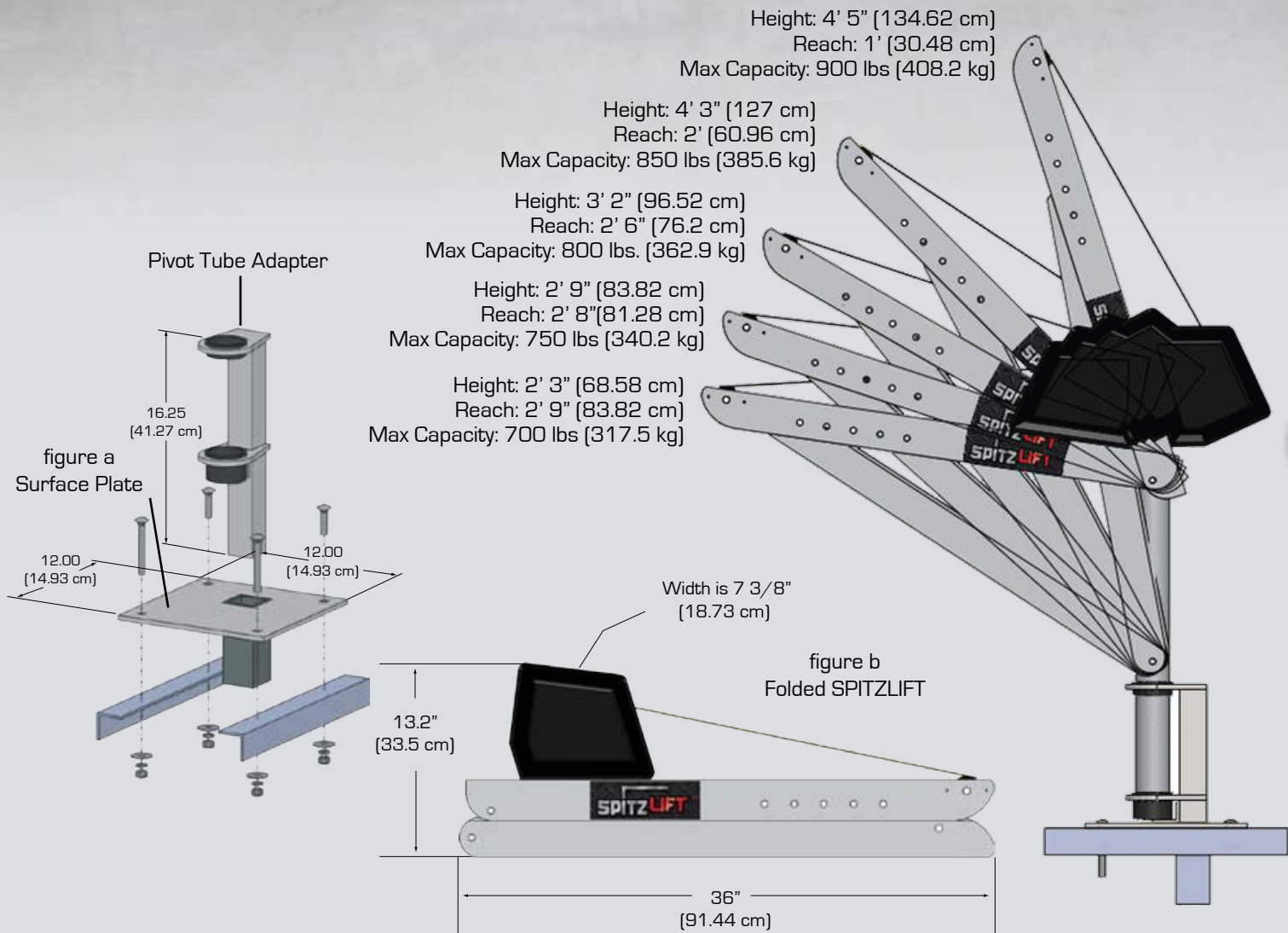
Supplied with a 10 ft lanyard remote control • Manual handle for dropping load during a power loss

# ENCLOSED SERVICE BODY

The Enclosed Service Body Kit comes with a 10x12 inch surface plate mount (figure a: Surface Plate). When the Surface Plate Mount is installed, it is flush with the floor of the service body. The mount comes with a hardware kit, and is also retro-fit friendly. The DC power 3 foot SPITZLIFT is the standard lift for the Enclosed Service Body. The quick connect wiring harness, which attaches to the vehicle battery, is also included. When the SPITZLIFT is not in use it can be folded and stowed, leaving the cargo space completely unobstructed (figure b: Folded SPITZLIFT). Every SPITZLIFT is load tested and comes with a safe-working load test certificate.







## FEATURES and OPTIONS

PRODUCT MODEL # LEBS10 - 3

### LIFT

Anodized Structural Aluminum, weighs less than 40lbs

1 minute setup from folded storage position (carrying case optional)

Meets requirements for 1 person handling

### MOUNT

Powder Coated Structural Steel

Complete Hardware Kit included (retro-fit friendly)

Designed and tested with all SPITZLIFTS

### DC ELECTRIC HOIST

12v DC, 189.1 gear ratio, 2 integrated circuit breakers • Optional manual / AC Hoist • Optional Battery Pack

Strap Length 20 ft • Optional aircraft grade wire rope (max 45 ft), synthetic rope (max 80 ft)

Internal Dual breaking system with dynamic and integrated disk break (enclosed in housing)

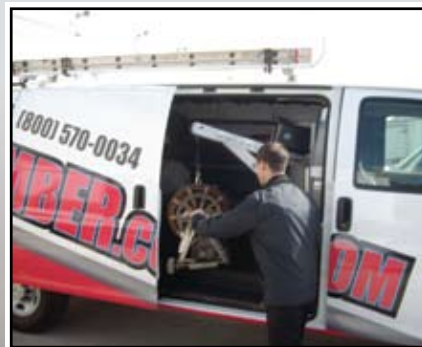
Supplied with a 10 ft lanyard remote control • Manual handle for dropping load during a power loss

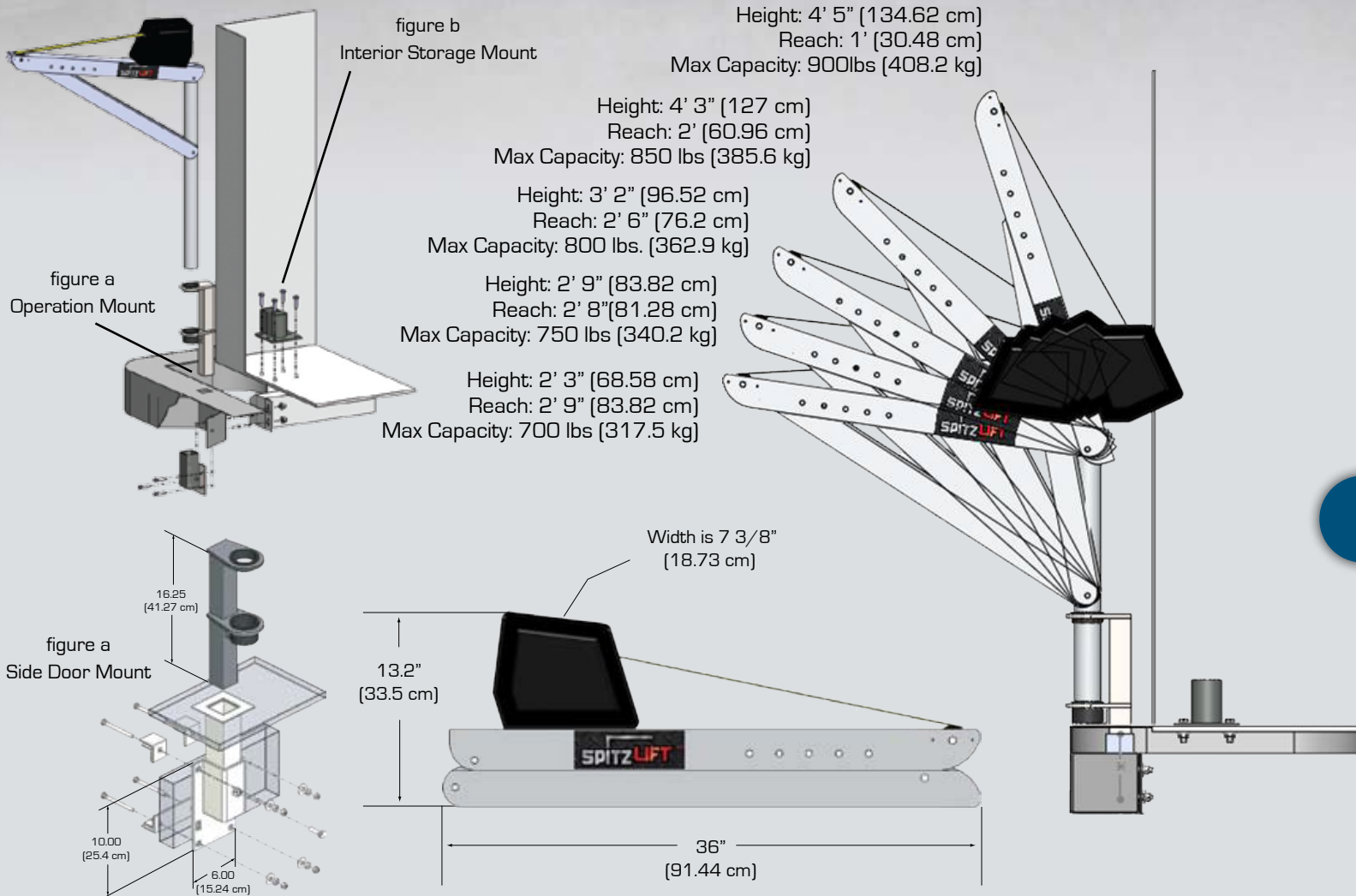
# VAN

The Back Bumper Kit was uniquely designed to be both sturdy and functional. The mount attaches to the vehicle's frame, which provides necessary support to the SPITZLIFT while lifting up to 900 lbs (figure a: Operation Mount). The kit also comes with an interior Stow Mount (figure b: Stow Mount) which allows the SPITZLIFT to be easily stored (while remaining readily available to be put back into place for lifting). Whether you are removing the lift to stow it, or setting the lift in place for use, it can be easily moved from mount to mount (by one person in under 1 minute). The 3 foot DC Powered SPITZLIFT should be used for this application. The DC powered lift also comes with a quick connect wiring harness that attaches to the vehicle battery. Every SPITZLIFT is load tested and comes with a safe-working load test certificate.



If your needs require that you use the side door, we also have a Side Door Kit. The side door mount installs flush with the floor of the Van. The mount attaches to the vehicle by clamping to the rail frame. It has a 500 lb lift capacity, and also comes with a complete hardware kit. The Side Door Mount also uses the 3 foot DC Powered SPITZLIFT. This SPITZLIFT can either remain installed, or quickly disassembled and stowed, to provide more working room within the Van.





## FEATURES and OPTIONS

BUMPER KIT PRODUCT MODEL # LSEKVBK - 3 / SIDE DOOR KIT PRODUCT MODEL # LSEKFS -3

### LIFT

Anodized Structural Aluminum, weighs less than 40lbs

1 minute setup from folded storage position (carrying case optional)

Meets requirements for 1 person handling

### MOUNT

Powder Coated Structural Steel

Complete Hardware Kit included (retro-fit friendly)

Designed and tested with all SPITZLIFTS

### DC ELECTRIC HOIST

12v DC, 189.1 gear ratio, 2 integrated circuit breakers • Optional manual / AC Hoist • Optional Battery Pack

Strap Length 20 ft • Optional aircraft grade wire rope (max 45 ft), synthetic rope (max 80 ft)

Internal Dual breaking system with dynamic and integrated disk break (enclosed in housing)

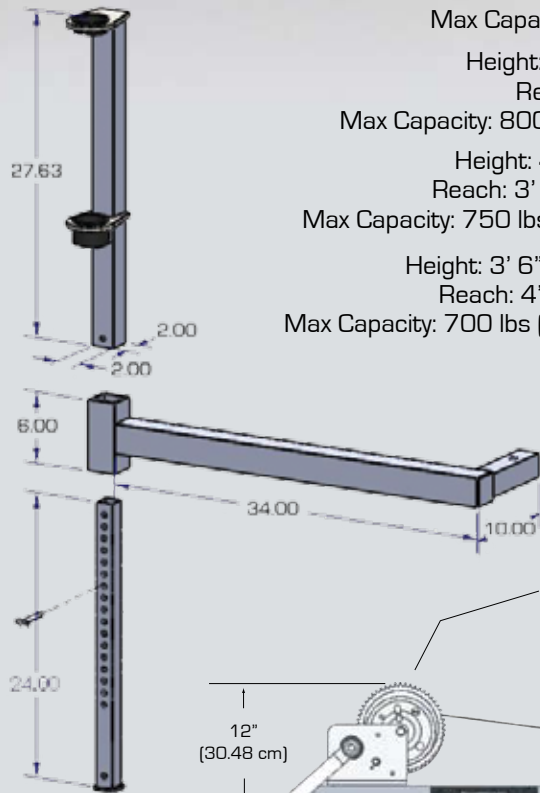
Supplied with a 10 ft lanyard remote control • Manual handle for dropping load during a power loss

# RECEIVER HITCH

This application makes any vehicle with a receiver hitch SPITZLIFT ready. The Receiver Hitch kit fits any 2 inch receiver hitch, and does not require any modification or installation to the vehicle. The SPITZLIFT Receiver Hitch kit is offset 36.5 inches to clear the tailgate, and can be used on the left or right side. This application comes standard with a 4 foot manual SPITZLIFT, which weighs less than 40 lbs, lifts up to 900 lbs, and can be easily managed by one person. The lift and the mount can be both easily folded, and stowed away when not in use. (figure a: Receiver Hitch Mount, figure b: Folded SPITZLIFT) Every SPITSLIFT comes with a safe-working load test certificate.



figure a  
Receiver Hitch Mount



Height: 6' (182 cm)  
Reach: 1' 6" (45 cm)  
Max Capacity: 900 lbs (408.2 kg)

Height: 5' 6" (167 cm)  
Reach: 2' 6" (76 cm)  
Max Capacity: 850 lbs (385.6 kg)

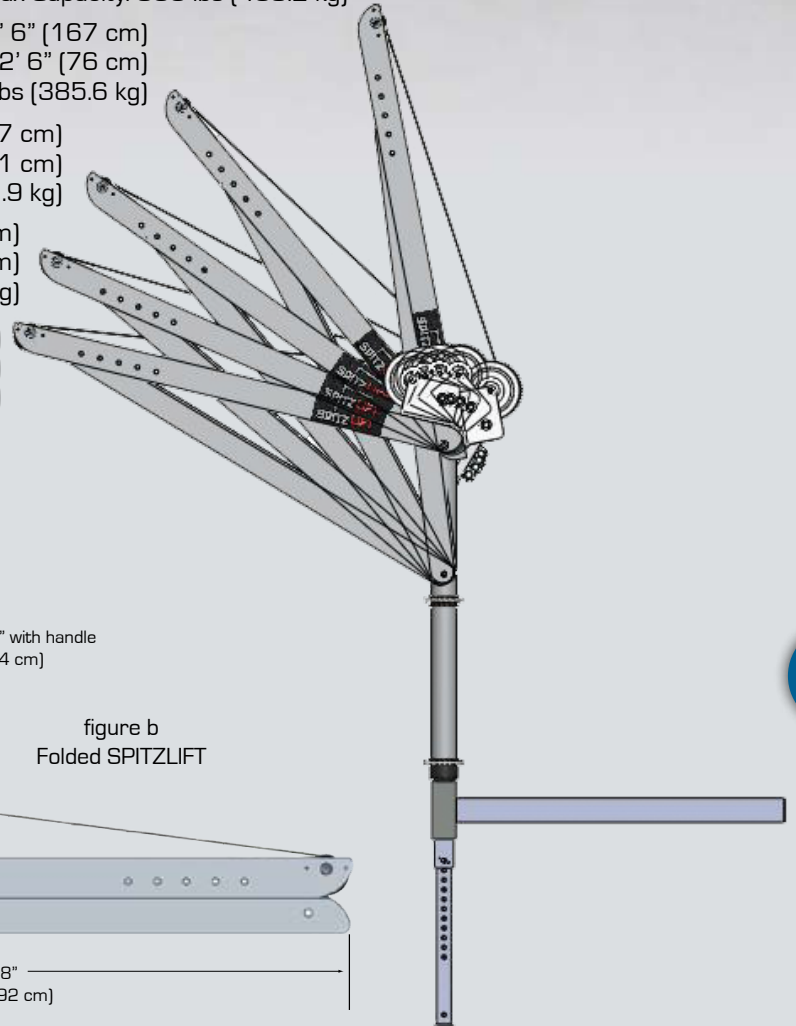
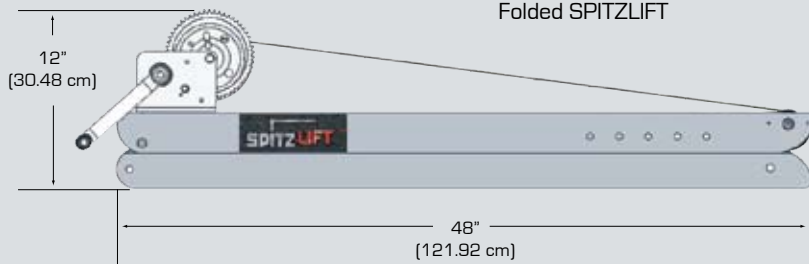
Height: 4' 6" (137 cm)  
Reach: 3' (91 cm)  
Max Capacity: 800 lbs (362.9 kg)

Height: 4' (121 cm)  
Reach: 3' 5" (104 cm)  
Max Capacity: 750 lbs (340.2 kg)

Height: 3' 6" (106 cm)  
Reach: 4' (121 cm)  
Max Capacity: 700 lbs (317.5 kg)

Width is 11" with handle  
(27.94 cm)

figure b  
Folded SPITZLIFT



## FEATURES and OPTIONS

PRODUCT MODEL # LKTR - 700

### LIFT

Anodized Structural Aluminum, weighs less than 40lbs

1 minute setup from folded storage position (carrying case optional)

Meets requirements for 1 person handling

### MOUNT

Powder Coated Structural Steel

Complete Hardware Kit included (retro-fit friendly)

Designed and tested with all SPITZLIFTS

### DC ELECTRIC HOIST

12v DC, 189.1 gear ratio, 2 integrated circuit breakers • Optional manual / AC Hoist • Optional Battery Pack

Strap Length 20 ft • Optional aircraft grade wire rope (max 45 ft), synthetic rope (max 80 ft)

Internal Dual breaking system with dynamic and integrated disk break (enclosed in housing)

Supplied with a 10 ft lanyard remote control • Manual handle for dropping load during a power loss

# OTHER APPLICATIONS

**RECREATION**



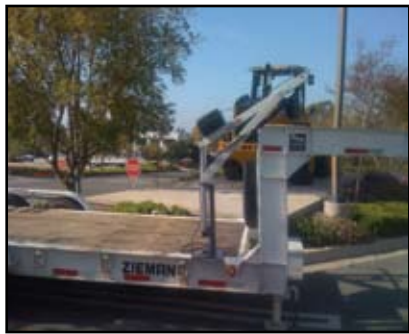
**UTV**



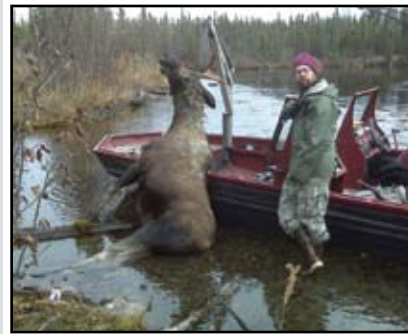
**ROOF -TOP**



**TRAILERS**



**HUNTING**



**TOWER**



**MILITARY**



**COASTGUARD**



**NAVY SUB**



**RAILWAY**



**DECKS**



**SPECIALTY CARTS**





## UNIVERSAL VERTICAL MOUNT

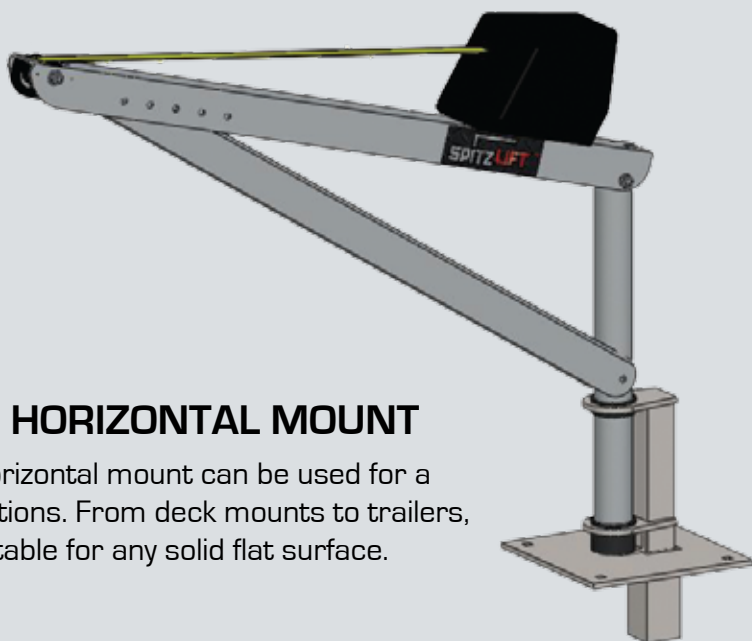
From posts to ship hulls, the Universal Vertical mount provides a sturdy alternative for areas where eligible mounting surfaces may be scarce. The vertical mount is versatile and can be attached to almost any solid vertical surface.



Interchangeable, webbing, and wire or synthetic rope available for all SPITZLIFTS

## UNIVERSAL HORIZONTAL MOUNT

The Universal Horizontal mount can be used for a variety of applications. From deck mounts to trailers, this mount is suitable for any solid flat surface.



## CUSTOM DESIGN

We are ready to assist you with special projects. Our custom design engineering team has a successful track record of meeting custom application needs, and superseding customer's expectations.



THE MOST PAYLOAD EFFICIENT MATERIAL HANDLING EQUIPMENT IN THE INDUSTRY



858.513.1260 | [WWW.SPITZLIFT.COM](http://WWW.SPITZLIFT.COM) | [INFO@SPITZLIFT.COM](mailto:INFO@SPITZLIFT.COM)